

Description:

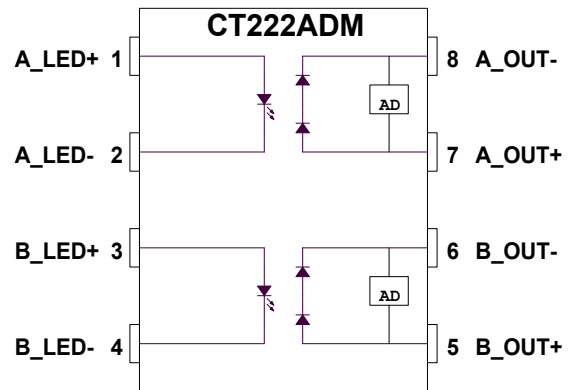
The CT222ADM is an isolated dual photovoltaic MOSFET driver used when a high degree of electrical isolation is required.

The driver can isolate the MOSFET from more sensitive control circuitry and enable the source and drain connections to reach any potential within the range of the isolation voltage. High photo efficiency produces fast turn on. A low off state impedance insures fast turn off and immunity from dv/dt when the MOSFET is in the off state.

The CT222ADM is packaged in an 8 pin hermetically sealed ceramic dip and is designed for high reliability applications.

Dual MOSFET Driver Active Discharge

Pin Connections



Features

- Active Gate Discharge Circuitry
- Optical Isolation
- High Isolation Voltage
- Dual Independent Channels
- Wide Operating Temperature Range

Applications

- Gate Drive Power MOSFETS
- Solid State Relays
- Process Controls
- Switching Power Supplies
- DC Motor Control

Mechanical Dimensions

